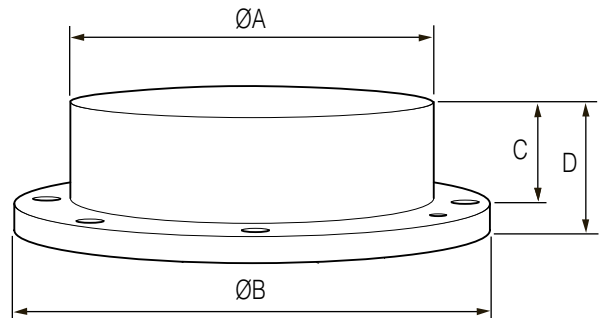
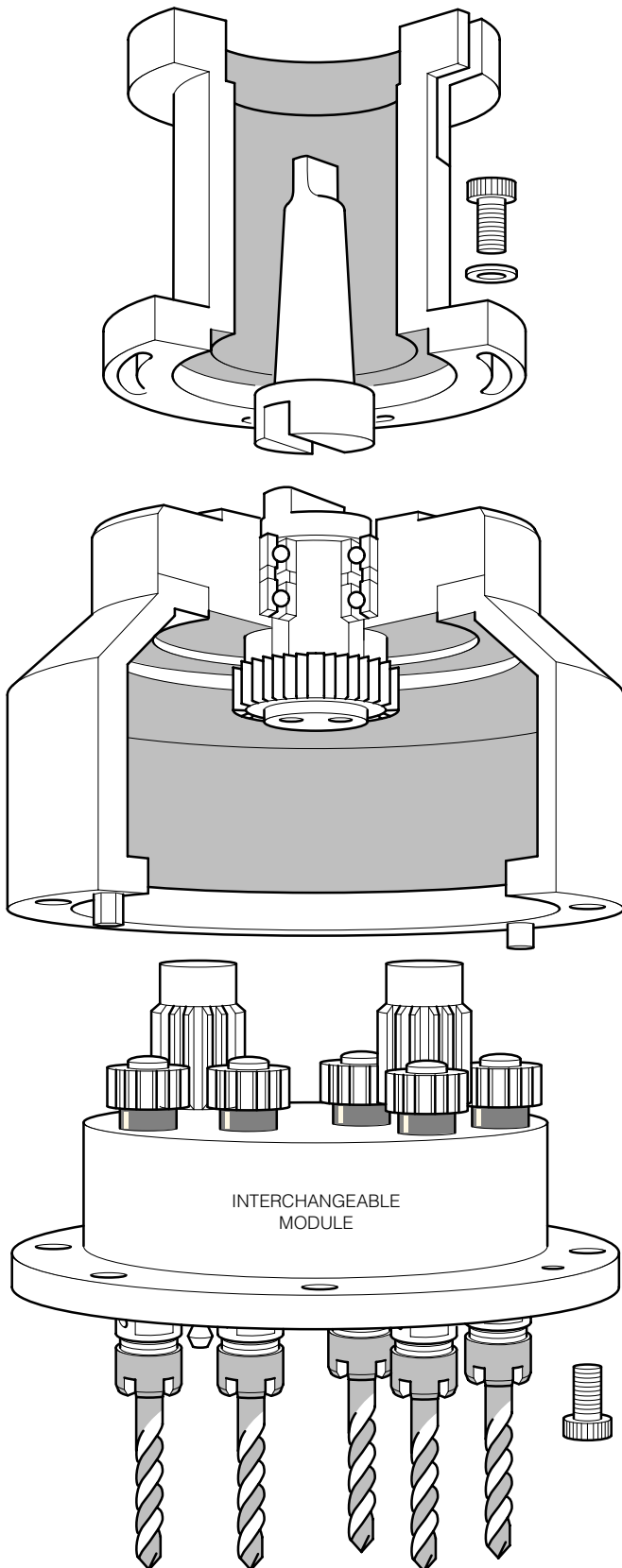


THE CENTINEL PLUS SYSTEM

Building on the unique design of the standard Centinel, we now offer the CENTINEL PLUS which features a Fixed Centre Unit, utilising the standard components and incorporating an interchangeable module.

This design allows us to satisfy the requirements of even more machining applications, while at the same time retaining the interchangeability and cost-efficiency for which the Centinel is renowned.



Unbored Interchangeable Modules

Body Assembly	ØA	ØB	C	D
30 BC FCM	76.0	100.0	33.0	43.0
30 CD FCM	101.0	125.0	33.0	43.0
30 DE FCM	126.0	150.0	33.0	43.0
40 DE FCM	115.0	150.0	46.5	56.5
40 EF FCM	140.0	175.0	46.5	56.5
40 EG FCM	161.0	200.0	46.5	56.5
40 FH FCM	186.0	225.0	46.5	56.5
50 FG FCM	158.0	200.0	63.5	77.5
50 HK FCM	233.0	275.0	63.5	77.5
50 LN FCM	308.0	350.0	63.5	77.5